

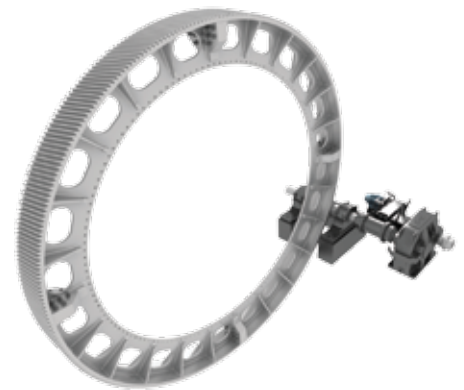
Ball & Rod Mill Drives

Single & two stage helical and planetary gear units

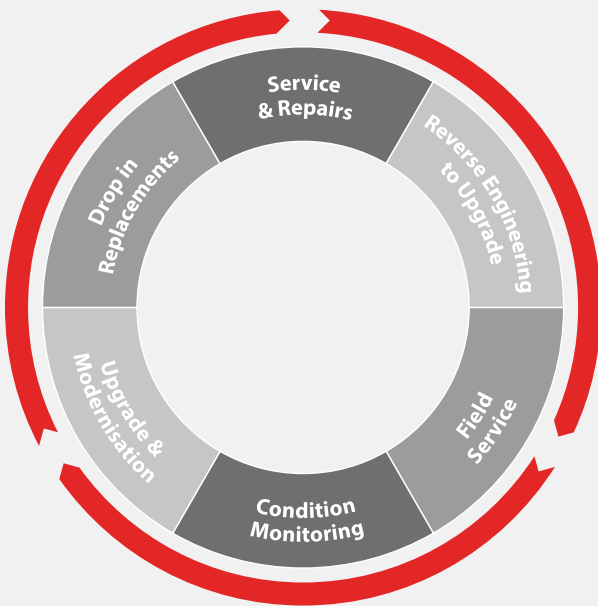
David Brown Santasalo horizontal grinding drives are engineered to customer specifications ensuring optimal performance while offering low running costs. Single and two-stage helical and planetary drives are supported by our extensive lifecycle service program. Designed to meet the demanding conditions and requirements of the grinding circuits, each gear unit is built to customer specifications to ensure an optimal and reliable performance.

Key benefits:

- Helical drives with accessories according to customer specifications
- Planetary centre drives
- Auxiliary drives with accessories according to customer specifications
- Multi-segmented, cast and fabricated girth gears and pinion sets are also available
- High performance with low running costs
- High process availability
- 24/7 real-time condition management (option)



Technical data	
Number of Stages	1 & 2
Power Range	up to 22,000 kW
Transmission Ratio	3-100
Nominal Output Torque	5,000 kNm



Geared for service

Getting the most from your process equipment calls for a long-term, proactive approach to service and maintenance. David Brown Santasalo provides proactive service across the entire lifecycle of your machines.

Europe

Finland: finland@dbsantasalo.com
France: france@dbsantasalo.com
Germany: germany@dbsantasalo.com
Sweden: sweden@dbsantasalo.com
UK: uk@dbsantasalo.com

Americas

Brazil: brasil@dbsantasalo.com
Canada: canada@dbsantasalo.com
Chile: chile@dbsantasalo.com
Peru: peru@dbsantasalo.com
USA: usa@dbsantasalo.com

Asia Pacific

Australia: australia@dbsantasalo.com
China: suzhou@dbsantasalo.com
India: india@dbsantasalo.com
Indonesia: indonesia@dbsantasalo.com
Philippines: philippines@dbsantasalo.com

Middle East

Dubai: dubai@dbsantasalo.com

Africa

South Africa: salessa@dbsantasalo.com
www.dbsantasalo.com